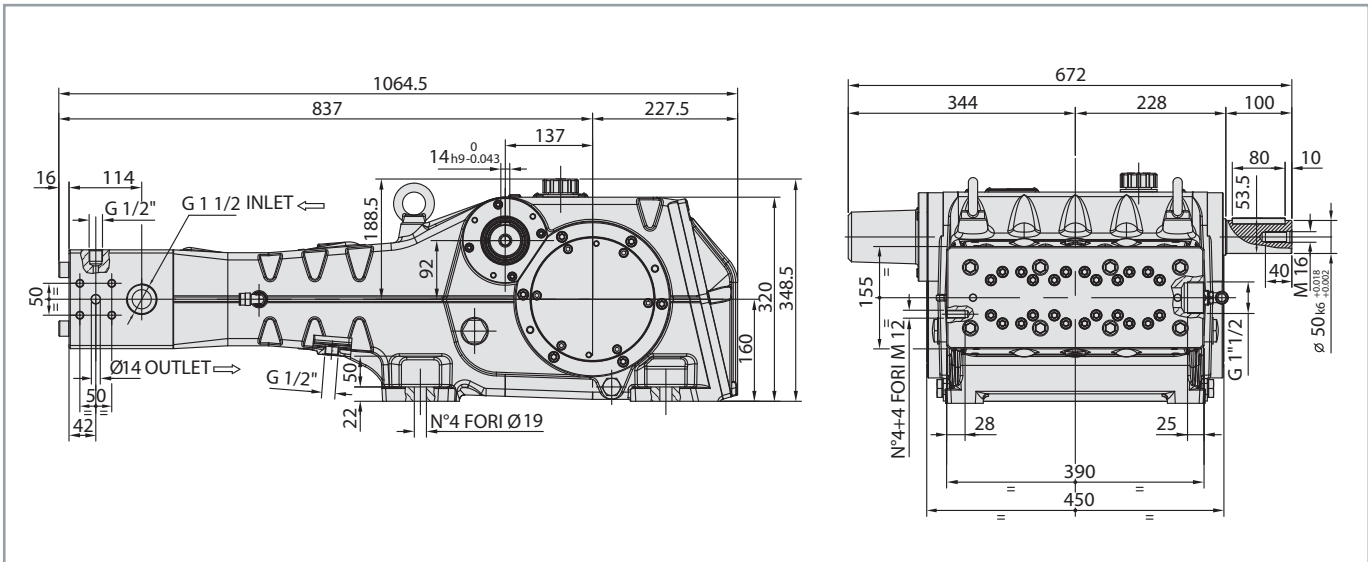


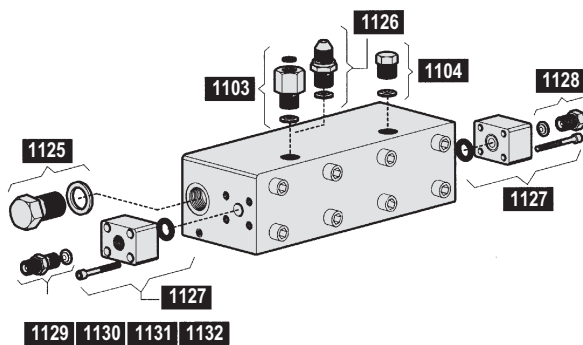
SK series 180HP



DIMENSIONI D'INGOMBRO - OVERALL DIMENSIONS



KIT DI CONNESSIONE - CONNECTION KIT



KIT 1103	OUTLET	G 1/2" HP - G 1/2"
KIT 1104	OUTLET	G 1/2" HP
KIT 1125	INLET	G 1 1/2
KIT 1126	OUTLET	G 1/2" HP - 5/8"UNF
KIT 1127	OUTLET	G 3/4" HP
KIT 1128	OUTLET	G 3/4" HP
KIT 1129	OUTLET	G 3/4" HP - G 3/8"
KIT 1130	OUTLET	G 3/4" HP - M20x1,5
KIT 1131	OUTLET	G 3/4" HP - M22x1,5
KIT 1132	OUTLET	G 3/4" HP - M24x1,5